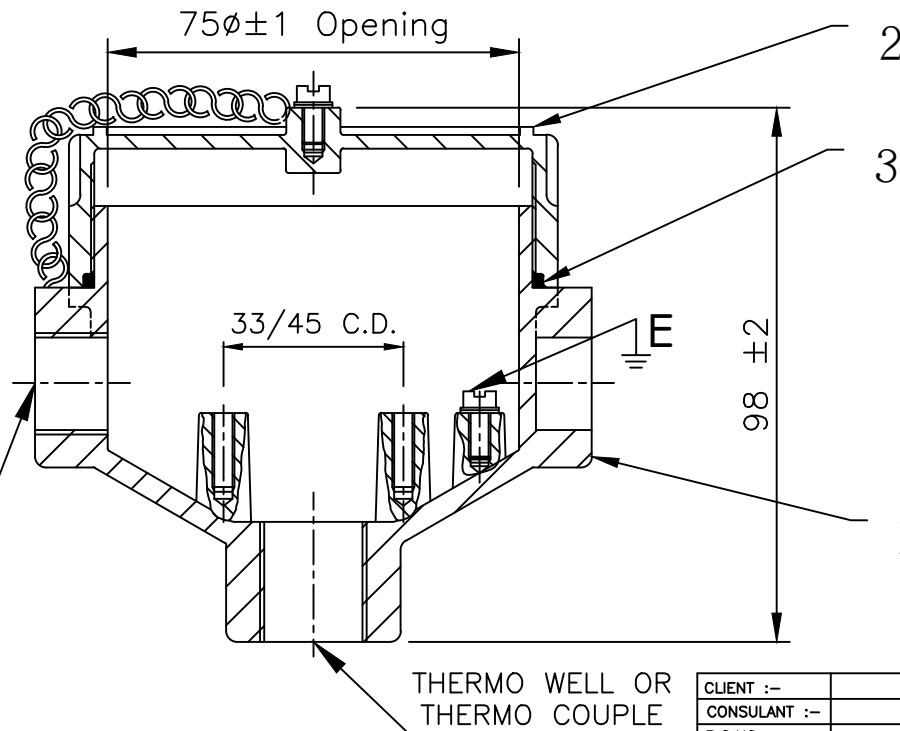
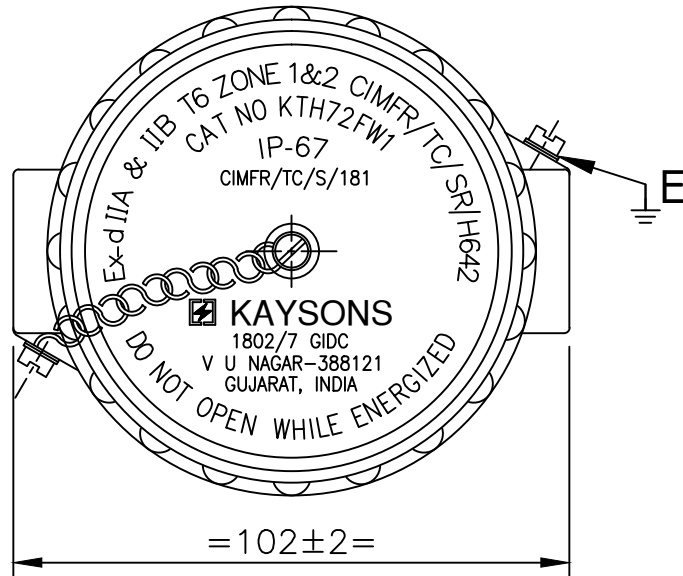


CMRI CERT NO. :- CIMFR/TC/SR/H642  
 SUPPLE. T.C. NO. :- CIMFR/TC/S/181  
 CAT. NO./TYPE NO. :- KTH72FW1



TECHNICAL DATA

ENCLOSURE :-  
 Ex-d AS PER IS/IEC 60079-1:2007

PROTECTION :-  
 IP-67 AS PER IS/IEC (60529:2001)

AREA CLASSIFICATION :-  
 ZONE -1 & 2

TEMPERATURE CLASS :-  
 T6

GAS GROUP :-  
 IIB

MATERIAL OF CONSTRUCTION :-  
 PRESSURE DIE CAST AL. ALLOY LM-6/  
 INVESTMENT CASTING S.S. 304/316 .

HARDWARE :-  
 STEEL ZINC PLATED/STAINLESS STEEL

GASKET:-  
 ENDLESS NEOPRENE

EARTHING :-  
 1 NO. INSIDE & 1 NO. OUTSIDE

FINISH :-  
 HAVELL'S GREY

CABLE ENTRY :-  
 MAX. 2 NOS. 1"ET OR 3/4"BSP / NPT OR  
 M25 / PG OR EQ.THREAD.

THERMO WELL OR THERMO COUPLE ENTRY :-  
 1 NO. 1"ET OR 3/4"BSP / NPT OR  
 M25 / PG OR EQ. THREAD.

03.	GASKET (ENDLESS, MOULDED)	1	NEOPRENE
02.	COVER	1	OPTIONAL
01.	BODY	1	OPTIONAL
NO.	DESCRIPTION	QTY	MAT./RATING

CLIENT :-	DRAWN	KBP	1.8.13	DESCRIPTION:- FLAMEPROOF WEATHERPROOF THERMOCOUPLE / RTD HEAD.
CONSULTANT :-	APP'D	HPB	1.8.13	
P.O.NO. :-	CH'D	NPB	1.8.13	

THE INFORMATION CONTAINED IN THIS DRAWING IS THE PROPERTY OF KAYSONS TECHNO EQUIPMENTS PVT. LTD. AND IS NOT TO BE COPIED OR MISUSED IN ANY WAY.

ISSUE	DATE	BY	MODIFICATION

**KAYSONS** 1802/7, G.I.D.C. ESTATE,  
 TECHNO EQUIPMENTS PVT LTD V.U.NAGAR 388121. (GUJARAT)

SHT.NO.	REV.	DRG.NO.:-
1 OF 1	0	M01